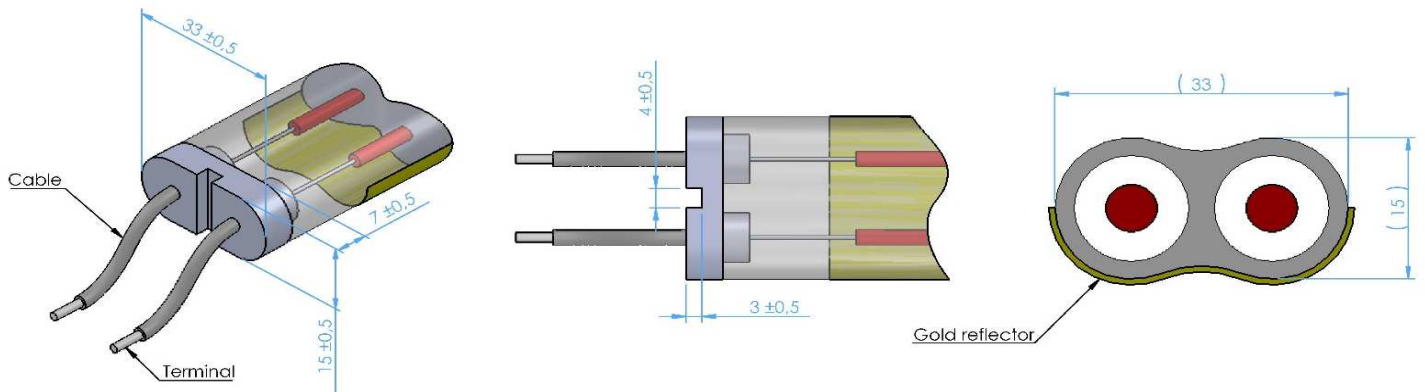
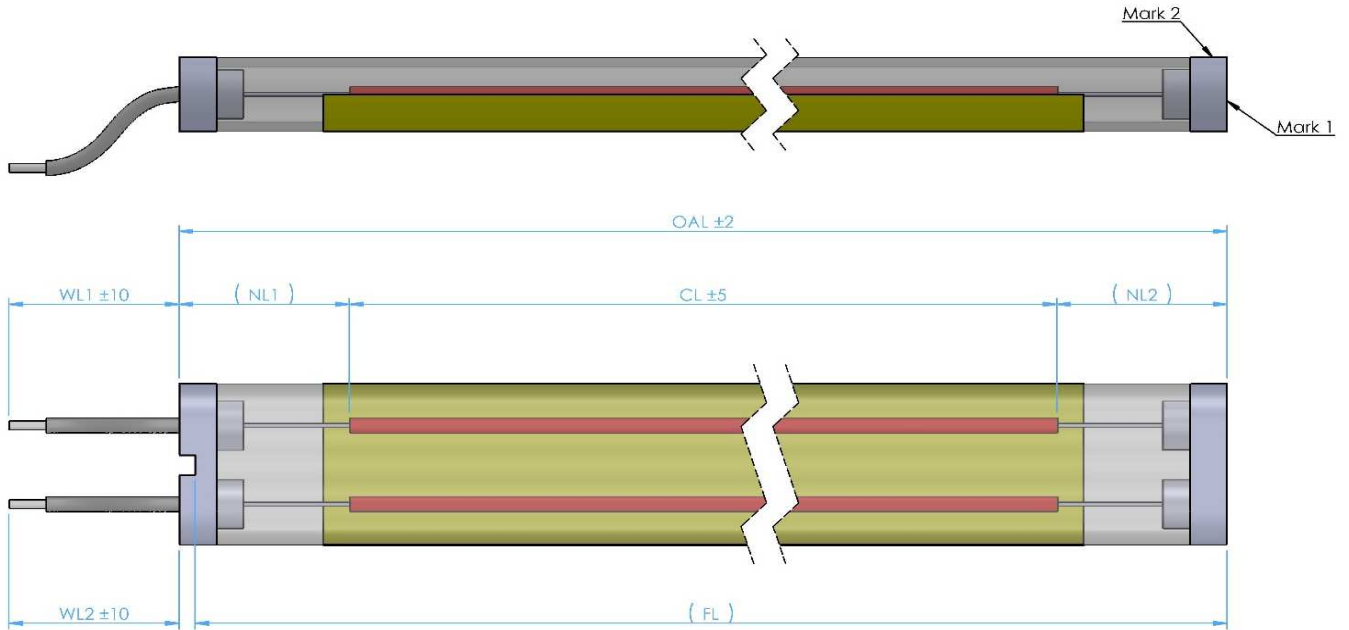


TECHNICAL DATA



1° - Electrical data :

Nominal voltage	Wattage	Average life time*	Wire T°	Lighting position
230 V	3750 W ± 5%	10000 Hrs	870 °C	Horizontal ±4°

* with AC power supply, 50 or 60 Hz, continuously at room temperature and free from vibration.

2° - Dimensional data :

OAL	CL	FL	NL1	NL2
1600 ± 2 mm	1500 ± 5 mm	(1597 mm)	(50 mm)	(50 mm)

3° - Cable data :

Cable Type	Terminal	WL 1	WL 2
Silicable CNVAS 1mm ² 400° (grey) OMERIN or equivalent	End Stripped (7mm)	500 ± 10mm	500 ± 10mm

4° - Marking :

Mark 1	Mark 2
DHKG230V3750W 1500S15KH	DIRTECH + Lot

Emitter type
B

Twin Tube Medium Wave Emitter			Modif	0					
			Date	21/03/2016					
DHKG 230V 3750W 1500 S15 K - H			Comments						
Date	DIRTECH®	Drawing number		Original					
21/03/2016		IRM-154							