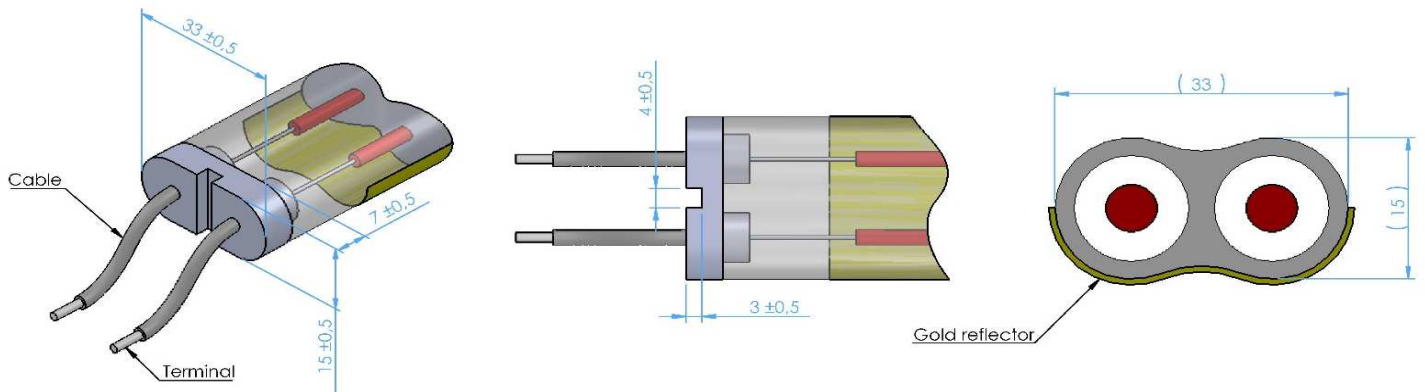
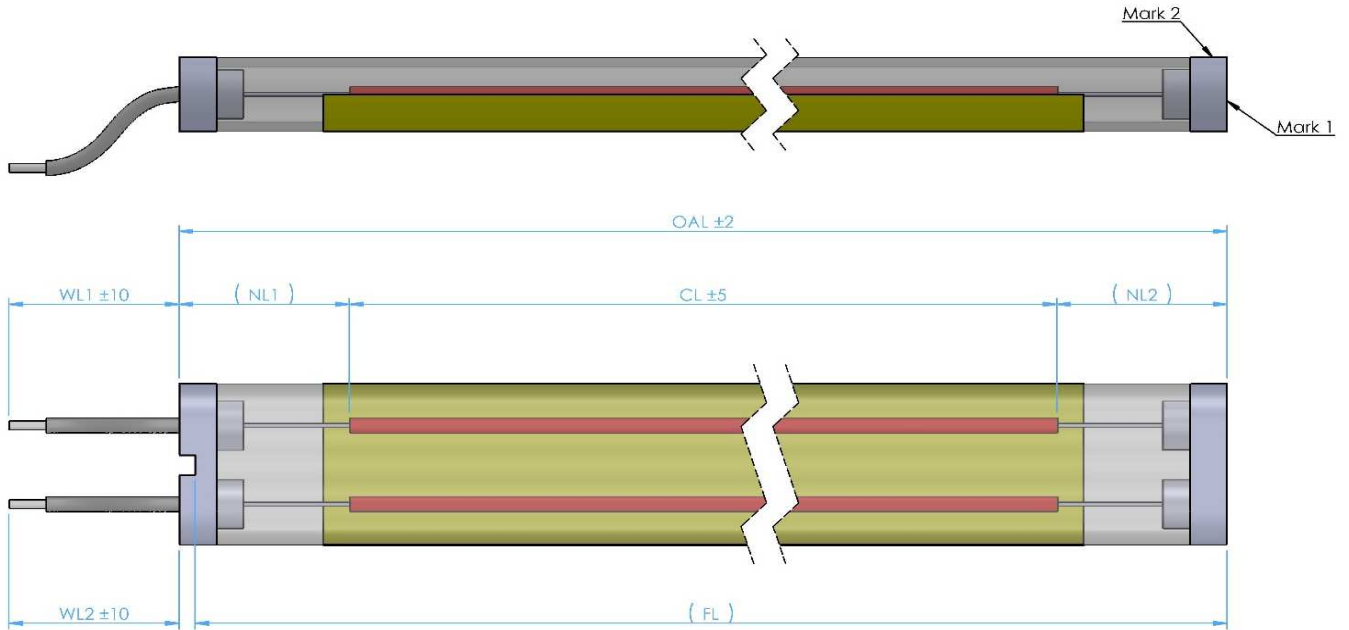


# TECHNICAL DATA



### 1° - Electrical data :

Nominal voltage	Wattage	Average life time*	Wire T°	Lighting position
230 V	3250 W ± 5%	10000 Hrs	850 °C	Horizontal ±4°

\* with AC power supply, 50 or 60 Hz, continuously at room temperature and free from vibration.

### 2° - Dimensional data :

OAL	CL	FL	NL1	NL2
1420 ± 2 mm	1300 ± 5 mm	(1417 mm)	(60 mm)	(60 mm)

### 3° - Cable data :

Cable Type	Terminal	WL 1	WL 2
Silicable CNVAS 1mm <sup>2</sup> 400° (grey) OMERIN or equivalent	End Stripped (7mm)	500 ± 10mm	500 ± 10mm

### 4° - Marking :

Mark 1	Mark 2
DHKG230V3250W 1300S15KH1	DIRTECH + Lot

Emitter type
B

Twin Tube Medium Wave Emitter			Modif	0					
DHKG 230V 3250W 1300 S15 K - H1			Date	21/03/2016					
Date	DIRTECH®	Drawing number	Comments	Original					
21/03/2016		IRM-153							