

OAL	355	WL	200
CL	285	Mark 1	DIRTECH +lot
AL	280	Mark 2	DC400V3000W 285BH

Wire: SILIFLON UL 1727 AWG 18 600V 250°C (white)  
OMERIN or equivalent

Terminal: Fork Ø5 mm RSB 7830 C5-1 STOCKO or equivalent

Specifications:

Nominal voltage: 400 V

Wattage: 3000 W ± 5%

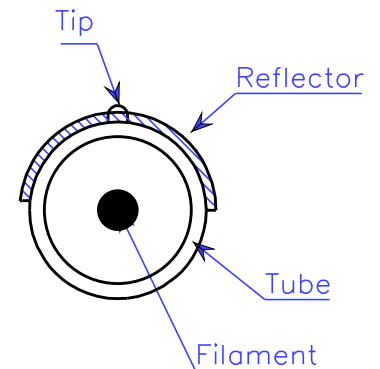
Average life: 5000 Hrs (with AC power supply, 50 or 60 Hz,  
continuously at room temperature and free from vibration)

Lighting position: Horizontal ± 4°

Tc 2700 K

Strength test:

- Wire harness shall withstand tensile load of 5 Kgf in lamp axis direction.
- Insulator base shall withstand tensile load of 5 Kgf in lamp axis direction.



Type: InfraRed Halogen Lamp Heater  
JHC 400V 3000W 280 BH

Modif.:

Date:

Date:  
18-12-13

DIRTECH

Version  
IC-139

Comments