

|     |     |        |                      |
|-----|-----|--------|----------------------|
| OAL | 378 |        |                      |
| CL  | 315 | Mark 1 | DIRTECH<br>+ lot     |
| WL  | 230 | Mark 2 | DC400V2500W<br>315BH |

Wire: SILIFLON UL 1727 AWG 18 600V 250°C (white)  
OMERIN or equivalent

Terminal: Splice RSB 7792.002V-1.5 STOCKO or equivalent

Specifications:

Nominal voltage: 400 V

Wattage: 2500 W ± 5%

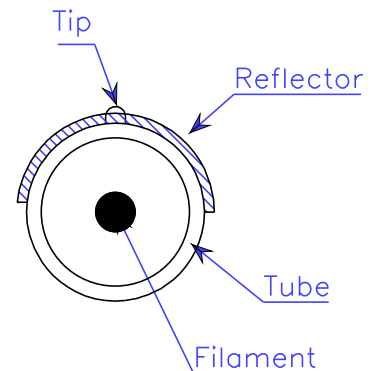
Average life: 5000 Hrs (with AC power supply, 50 or 60 Hz,  
continuously at room temperature and free from vibration)

Lighting position: Horizontal ± 4°

Tc 2500 K

Strength test:

- Wire harness shall withstand tensile load of 5 Kgf in lamp axis direction.
- Insulator base shall withstand tensile load of 5 Kgf in lamp axis direction.



Type: InfraRed Halogen Lamp Heater  
DC 400V 2500W 315 BH

Modif.:

Date:

Date:

27-10-13

DIRTECH

Version

IC-076

Comments