

OAL	352	WL	230
CL	283	Mark1	DIRTECH + lot
AL	280	Mark2	DC400V2000W 283BfU

Dimples: 6 positions

Wire: SILIFLON UL 1727 AWG 18 600V 250°C (white)
OMERIN or equivalent

Terminal: Splice RSB 7792.002V-1.5 STOCKO or equivalent

Specifications:

Nominal voltage: 400 V

Wattage: 2000 W ± 5%

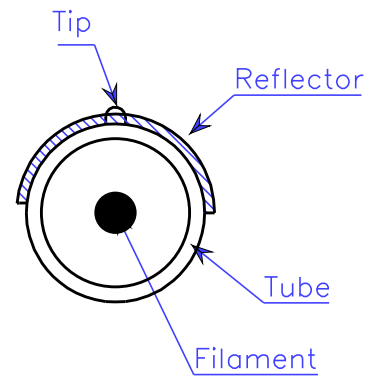
Average life: 5000 Hrs (with AC power supply, 50 or 60 Hz,
continuously at room temperature and free from vibration)

Lighting position: Universal

Tc 2700 K

Strength test:

- Wire harness shall withstand tensile load of 5 Kgf in lamp axis direction.



Type: InfraRed Halogen Heater Lamp
DC 400V 2000W 283 BfU

Modif.:

Date:

Date:
22-04-14

DIRTECH

Version
IC-239

Comments