

OAL	787.5	WL	500
CL	705	Mark1	DIRTECH + lot
AL	700	Mark2	DC235V3000W 705BfH

Wire: SILIFLON UL 1727 AWG 18 600V 250°C (white)
OMERIN or equivalent

Terminal: Splice RSB 7792.002V-1.5 STOCKO or equivalent

Specifications:

Nominal voltage: 235 V

Wattage: 3000 W ± 5%

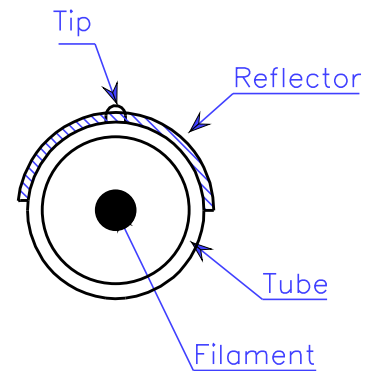
Average life: 5000 Hrs (with AC power supply, 50 or 60 Hz,
continuously at room temperature and free from vibration)

Lighting position: Horizontal ± 4°

Tc 2300 K

Strength test:

- Wire harness shall withstand tensile load of 5 Kgf in lamp axis direction.



Type: InfraRed Halogen Heater Lamp
DC 235V 3000W 705 BfH

Modif.:

Date:

Date:

17-03-15

DIRTECH

Version

IC-459

Comments