

OAL	353	WL	160
CL	285	Mark 1	DIRTECH + lot
AL	280	Mark 2	DC235V3000W 285BfH

Wire: SILIFLON UL 1727 AWG18 250°C Color: white  
OMERIN or equivalent

Terminal: Ring tongue RSB 7727 A4-1 M4 STOCKO or equivalent

Insulating tube: fiberglass 21F1 280°C dia. 3 mm Color: grey  
OMERIN or equivalent

Specifications:

Nominal voltage: 235 V

Wattage: 3000 W ± 5%

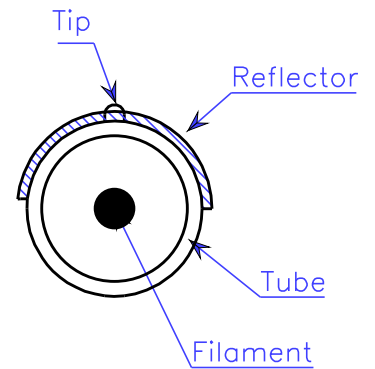
Average life: 5000 Hrs (with AC power supply, 50 or 60 Hz,  
continuously at room temperature and free from vibration)

Lighting position: Horizontal ±4°

Tc 2650 K

Strength test:

– Wire harness shall withstand tensile load of 5 Kgf in lamp axis direction.



Type: InfraRed Halogen Heater Lamp  
DC 235V 3000W 285 BfH

Modif.:

Date:

Date:

26-09-13

DIRTECH

Version

IC-055

Comments