

OAL	572		
CL	500		
FL	564	Mark	DIRTECH + lot DC235V2000W500IH

Terminal: stainless steel  $\varnothing$  2 golden plated

Specifications:

Nominal voltage: 235 V

Wattage: 2000 W  $\pm$  5%

Average life: 5000 Hrs (with AC power supply, 50 or 60 Hz,  
continuously at room temperature and free from vibration)

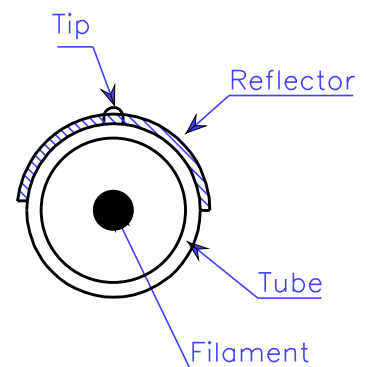
Lighting position: Horizontal  $\pm$  4°

Tc 2700 K

Filament construction: 29 segments

Strength test:

- Terminal shall withstand tensile load of 3 Kgf.
- Insulator base shall withstand tensile load of 5 Kgf in lamp axis direction.



Type: InfraRed Halogen Lamp Heater  
DC 235V 2000W 500 IH

Modif.:

Date:

Date:

07-03-16

DIRTECH

Version

IC-694

Comments