

OAL	352	WL	200
CL	285	Mark 1	DIRTECH + lot
AL	280	Mark 2	DC235V2000W 285BfU2

Wire: SILIFLON UL 1727 AWG 18 250°C Color: WHITE
OMERIN or equivalent

Terminal: Spade tongue terminal M5 RSB 7830 C5-1 STOCKO
or equivalent

Specifications:

Nominal voltage: 235 V

Wattage: 2000 W ± 5%

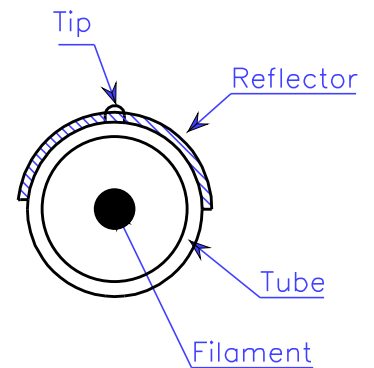
Average life: 5000 Hrs (with AC power supply, 50 or 60 Hz, continuously at room temperature and free from vibration)

Lighting position: Universal

Strength test:

– Wire harness shall withstand tensile load of 5 Kgf in lamp axis direction.

Tc 2450°K



Type: InfraRed Halogen Heater Lamp
DC 235V 2000W 285 BfU2

Modif.:

Date:

Date:
15-07-14

DIRTECH

Version
IC-290

Comments