

OAL	353	WL	210
CL	285	Mark 1	DIRTECH + lot
AL	280	Mark 2	DC235V2000W 285BfH4

Wire: SILIFLON UL 1727 AWG 18 600V 250°C (white)
OMERIN or equivalent

Terminal: Fork \varnothing 5 mm RSB 7830 C5-1 STOCKO or equivalent

Specifications:

Nominal voltage: 235 V

Wattage: 2000 W \pm 5%

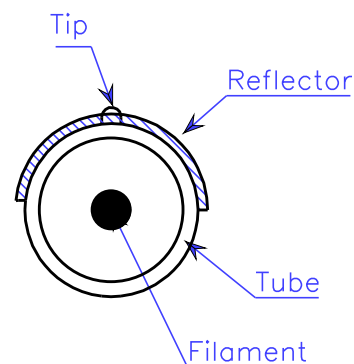
Average life: 5000 Hrs (with AC power supply, 50 or 60 Hz,
continuously at room temperature and free from vibration)

Lighting position: Horizontal \pm 4°

Tc 2700 K

Strength test:

- Wire harness shall withstand tensile load of 5 Kgf in lamp axis direction.



Type: InfraRed Halogen Heater Lamp
DC 235V 2000W 285 BfH4

Modif.:

Date:

Date:

18-12-13

DIRTECH

Version

IC-155

Comments