

| | | | |
|-----|-----|-------|------------------------|
| OAL | 353 | WL | 210 |
| CL | 285 | Mark1 | DIRTECH + lot |
| AL | 280 | Mark2 | DC235V2000W 285BfH2 |

Wire: SILIFLON UL 1727 AWG 18 600V 250°C (white)
OMERIN or equivalent

Terminal: Fork type M5 RSB 7830 C5-1 STOCKO
or equivalent

Specifications:

Nominal voltage: 235 V

Wattage: 2000 W ± 5%

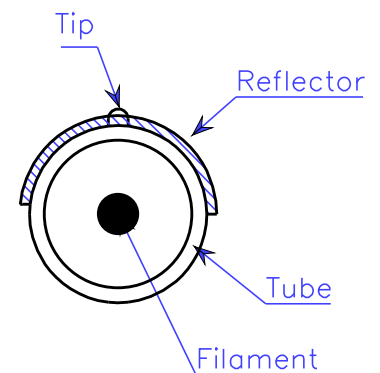
Average life: 5000 Hrs (with AC power supply, 50 or 60 Hz,
continuously at room temperature and free from vibration)

Lighting position: Horizontal ±4°

Tc 2425 K

Strength test:

- Wire harness shall withstand tensile load of 5 Kgf



Type: InfraRed Halogen Heater Lamp
DC 235V 2000W 285 BfH2

Modif.:

Date:

Date:
16-12-13

DIRTECH

Version
IC-147

Comments