

OAL	353		
CL	280	Mark1	DIRTECH + lot
WL	200	Mark2	DC235V2000W 280BFU

Dimples: 6 positions

Wire: SILIFLON UL 1727 AWG18 250°C Color: white
OMERIN or equivalent

Terminal: End stripped (7 mm)

Specifications:

Nominal voltage: 235 V

Wattage: 2000 W ± 5%

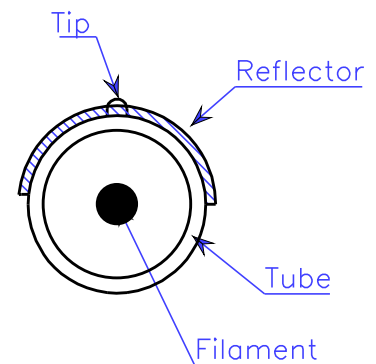
Average life: 5000 Hrs (with AC power supply, 50 or 60 Hz,
continuously at room temperature and free from vibration)

Lighting position: Universal

Tc 2400 K

Strength test:

– Wire harness shall withstand tensile load of 5 Kgf in lamp axis direction.



Type: InfraRed Halogen Heater Lamp
DC 235V 2000W 280 BfU

Modif.:

Date:

Date:

07-03-16

DIRTECH

Version

IC-693

Comments