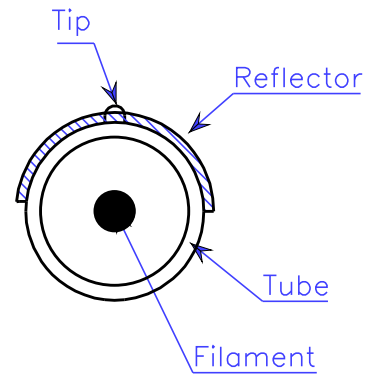


OAL	354	FL	346
CL	275		
AL	272	Mark	DIRTECH + lot DC235V1000W275IH



Terminal: stainless steel $\text{Ø} 2$ golden plated

Specifications:

Nominal voltage: 235 V

Wattage: 1000 W $\pm 5\%$

Average life: 5000 Hrs (with AC power supply, 50 or 60 Hz,
continuously at room temperature and free from vibration)

Lighting position: Horizontal $\pm 4^\circ$

Tc 2650 K

Strength test:

- Terminal shall withstand tensile load of 5 Kgf.
- Base insulator shall withstand tensile load of 5 Kgf.

Type: InfraRed Halogen Heater Lamp
DC 235V 1000W 275 IH

Modif.:

Date:

Date:

24-09-13

DIRTECH

Version

IC-051

Comments