

| | | | |
|-----|-----|--------|------------------------|
| OAL | 352 | | |
| CL | 275 | Mark 1 | DIRTECH + lot |
| WL | 200 | Mark 2 | DC235V1000W 275BfU2 |

Dimples: 6 positions

Wire: SILIFLON UL 1727 AWG 18 600V 250°C Color: WHITE
OMERIN or equivalent

Terminal: End stripped (7mm)

Specifications:

Nominal voltage: 235 V

Wattage: 1000 W ± 5%

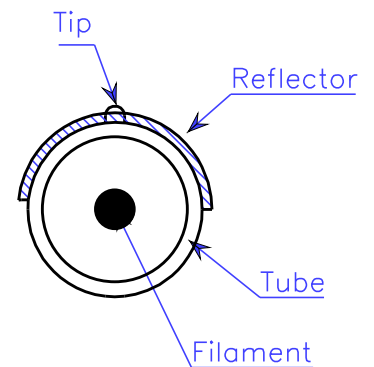
Average life: 5000 Hrs (with AC power supply, 50 or 60 Hz,
continuously at room temperature and free from vibration)

Lighting position: Universal

Strength test:

– Wire harness shall withstand tensile load of 1 Kgf

Tc 2450°K



Type: InfraRed Halogen Heater Lamp
DC 235V 1000W 275 BfU2

Modif.:

Date:

Date:
07-03-16

DIRTECH

Version
IC-692

Comments