

OAL	352		
CL	275	Mark1	DIRTECH + lot
WL	220	Mark2	DC235V1000W 275BfH1

Wire: SILIFLON UL 1727 AWG 18 600V 250°C Color: WHITE
OMERIN or equivalent

Terminal: Spade tongue terminal type M5
AMP or equivalent

Specifications:

Nominal voltage: 235 V

Wattage: 1000 W ± 5%

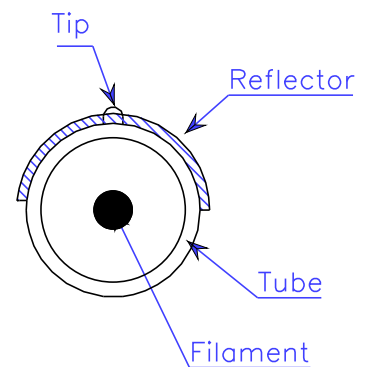
Average life: 5000 Hrs (with AC power supply, 50 or 60 Hz,
continuously at room temperature and free from vibration)

Lighting position: Horizontal ±4°

Strength test:

– Wire harness shall withstand tensile load of 1 Kgf

Tc 2450°K



Type: InfraRed Halogen Heater Lamp
DC 235V 1000W 275 BfH1

Modif.:

Date:

Date:

04-02-14

DIRTECH

Version
IC-192

Comments