

OAL	352		
CL	275	Mark1	DIRTECH + lot
WL	200	Mark2	DC235V1000W 275BU

Dimples: 5 positions

Wire: SILIFLON UL 1727 AWG 18 600V 250°C Color: WHITE
OMERIN or equivalent

Terminal: Spade tongue terminal type M5
AMP or equivalent

Specifications:

Nominal voltage: 235 V

Wattage: 1000 W ± 5%

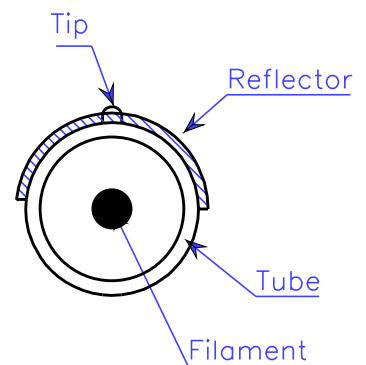
Average life: 5000 Hrs (with AC power supply, 50 or 60 Hz,
continuously at room temperature and free from vibration)

Lighting position: Universal

Strength test:

– Wire harness shall withstand tensile load of 1 Kgf

Tc 2450°K



Type: InfraRed Halogen Heater Lamp
DC 235V 1000W 275 BU

Modif.:

Date:

Date:
14-10-14

DIRTECH

Version
IC-333

Comments