

OAL	650	WL	500
CL	505	Mark 1	DIRTECH +lot
AL	500	Mark 2	DC230V2000W 505BFH

Wire: SILIFLON UL 1727 AWG 18 600V 250°C (white)  
OMERIN or equivalent

Terminal: Splice RSB 7792.002V-1.5 STOCKO or equivalent

Specifications:

Nominal voltage: 230 V

Wattage: 2000 W ± 5%

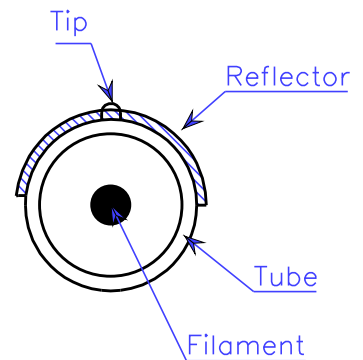
Average life: 5000 Hrs (with AC power supply, 50 or 60 Hz,  
continuously at room temperature and free from vibration)

Lighting position: Horizontal ± 4°

Tc 2400 K

Strength test:

- Wire harness shall withstand tensile load of 5 Kgf in lamp axis direction.



Type: InfraRed Halogen Heater Lamp  
DC 230V 2000W 505 BfH

Modif.:

Date:

Date:

10-10-13

DIRTECH

Version

IC-069

Comments