

OAL	225		
CL	155	Mark1	DIRTECH + lot
WL	150	Mark2	DC144V1600W 155BfH2

Wire: SILIFLON UL 1727 AWG 18 600V 250°C (white)  
OMERIN or equivalent

Terminal: Spade tongue terminal M5 180 396.2 AMP or equivalent

Specifications:

Nominal voltage: 144 V

Wattage: 1600 W ± 5%

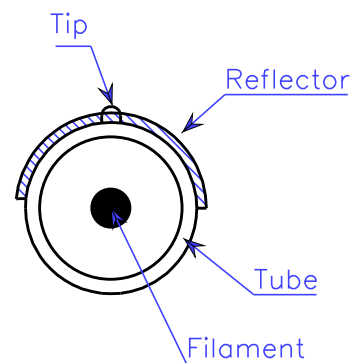
Average life: 5000 Hrs (with AC power supply, 50 or 60 Hz,  
continuously at room temperature and free from vibration)

Lighting position: Horizontal ±4°

Tc 2700 K

Strength test:

– Wire harness shall withstand tensile load of 5 Kgf in lamp axis direction.



Type: InfraRed Halogen Heater Lamp  
DC 144V 1600W 155 BfH2

Modif.:

Date:

Date:

07-03-16

DIRTECH

Version

IC-688

Comments